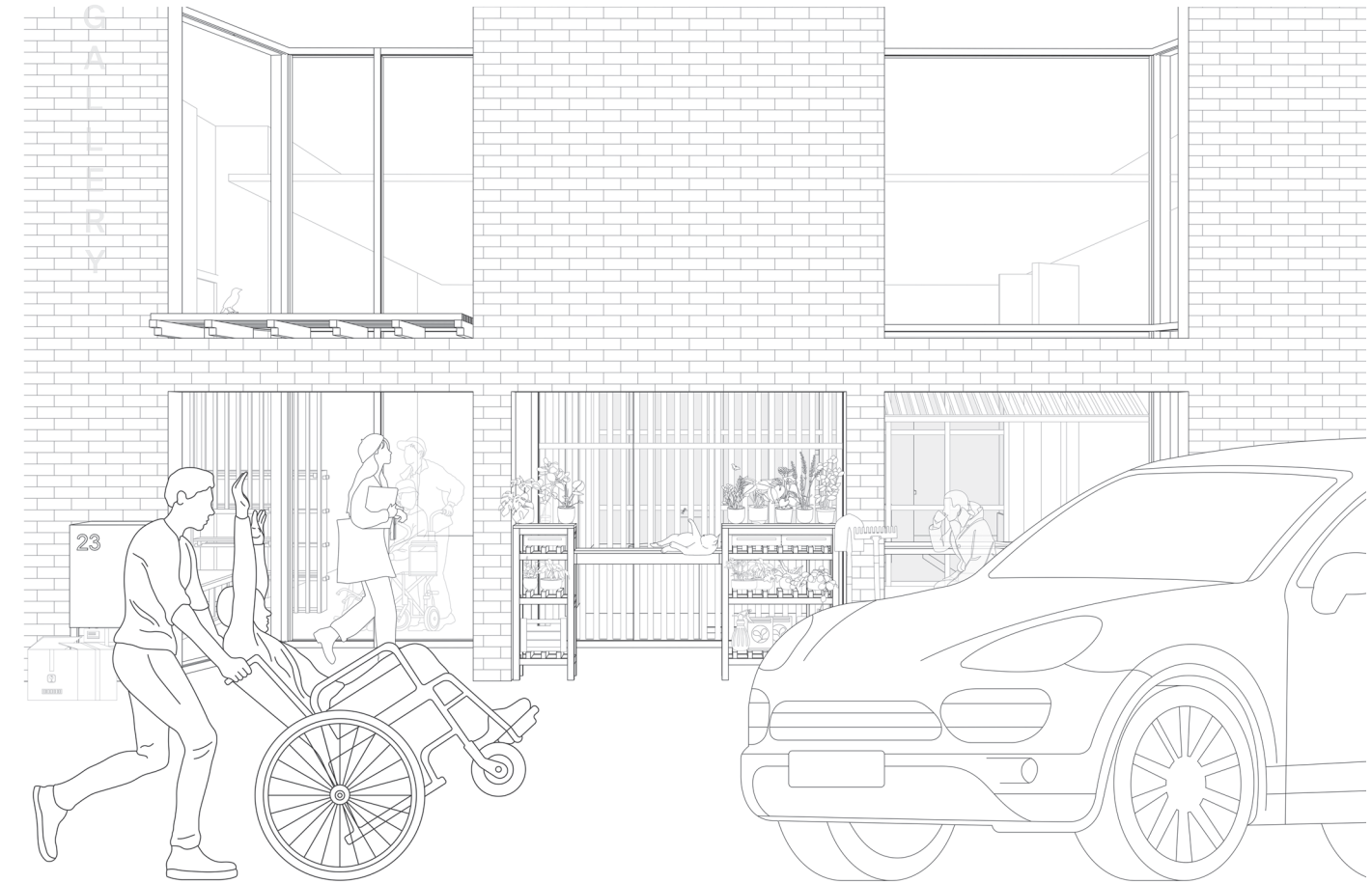


# ENTRY



- Accessibility =** a home with integrated features that don't seem out of place
- Seamlessness** a home that is sustainable, economic and practical
- Performance** a home that is roomy, caring and uplifting
- Generosity** a home that enables people to come together and connect to community
- Sociability** a home that readily adapts to new situations and uses
- Flexibility** a home that supports varied circumstances and needs
- Diversity** a home that is respectful and evokes pride
- Dignity** a home that is protective and comforting
- Safety**

## SPACES/ELEMENTS

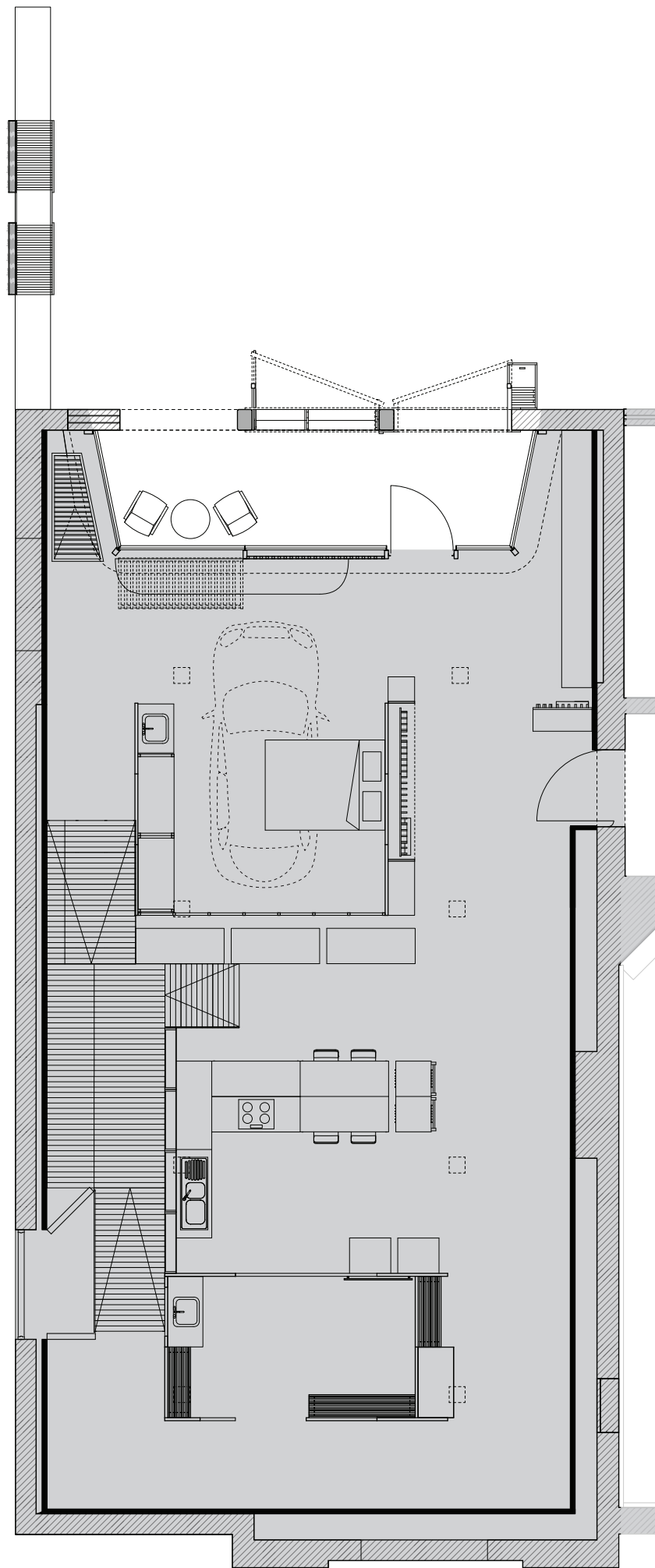
## RETROFIT KIT

Well designed and accessible points of entry and exit are fundamental to the spatial flexibility, choice, sociability and security of a home. Multiple access points support privacy and diversity of use and unimpeded circulation looped throughout the dwelling. The entry zone is an important place to pause and take stock before arrival or departure. It provides a sense of security and shelter and is a vital social space that connects the house to the street. Level, zero-step, entry passages improve connectivity between the house and its immediate external environment.

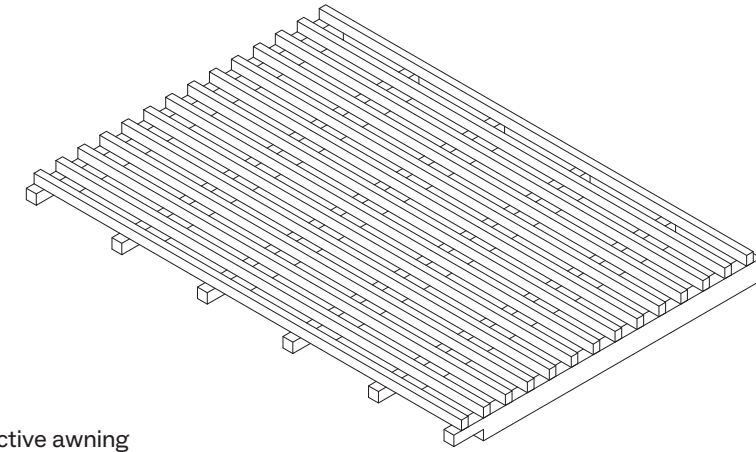
**Active outside area** for gathering and a range of uses

**Drop off and pick up zone** with protected and practical access by vehicles

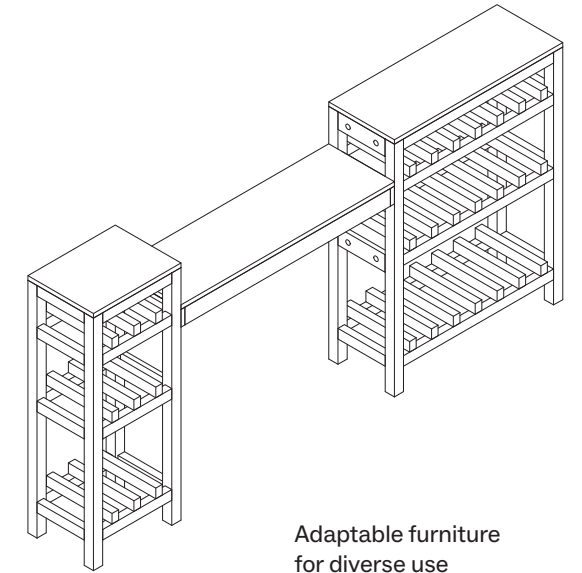
**Landscape levelling** for seamless movement and access



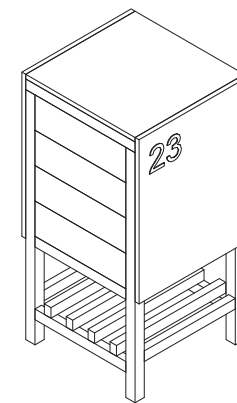
Elements at entry protect and enable diverse activities at the threshold between house and the street.



Protective awning



Adaptable furniture for diverse use



Accessible and generous letterbox

# ENTRY

Scale 1:100

# /ELEMENTS

# FOYER

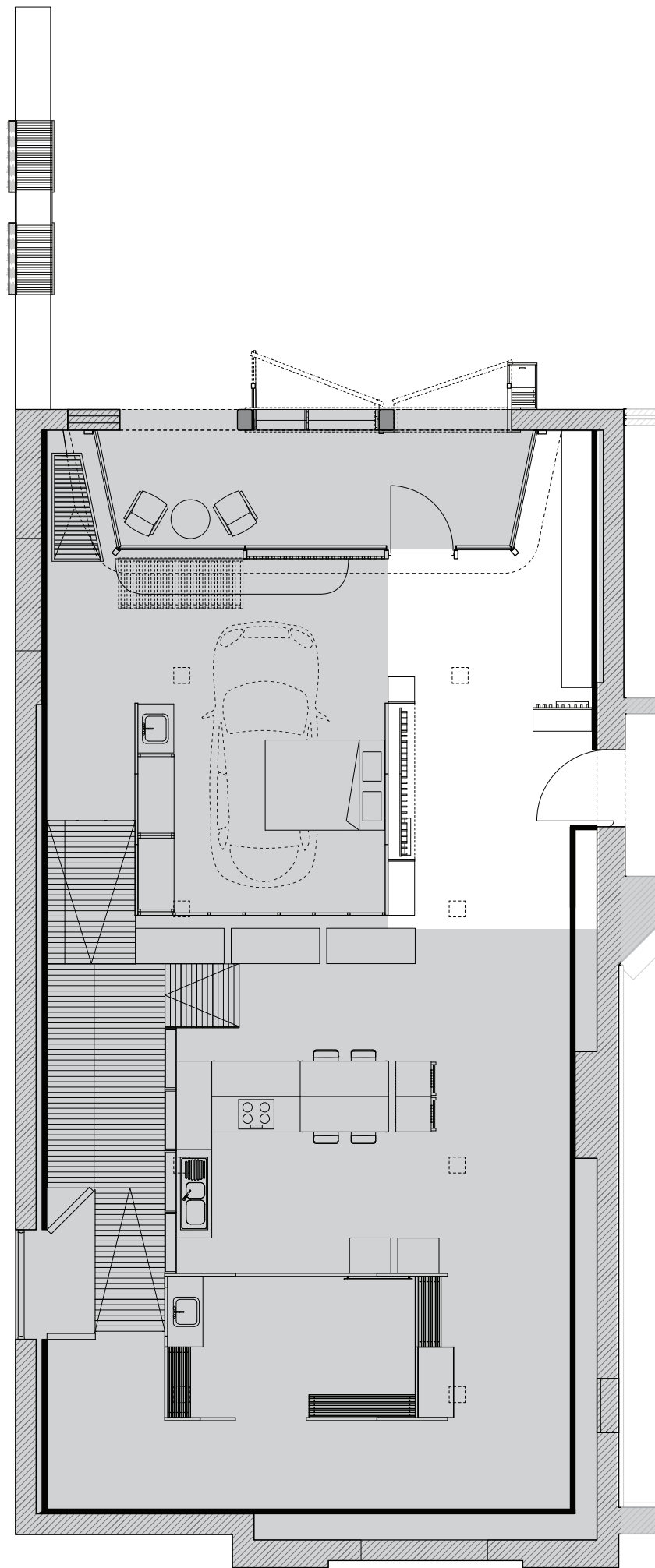


- Accessibility =** a home with integrated features that don't seem out of place
- Seamlessness** a home that is sustainable, economic and practical
- Performance** a home that is roomy, caring and uplifting
- Generosity** a home that enables people to come together and connect to community
- Sociability** a home that readily adapts to new situations and uses
- Flexibility** a home that supports varied circumstances and needs
- Diversity** a home that is respectful and evokes pride
- Dignity** a home that is protective and comforting
- Safety**

## SPACES/ELEMENTS

## RETROFIT KIT

The foyer, also referred to here as a mudroom, enables a safe and comfortable transition between the external environment and the home interior. As a space to pause and prepare before arrival and departure it supports both rest and circulation. The mudroom can be a hinge point that provides dual key access and private passage to bedrooms or living spaces. Adaptable furniture and storage units provide amenity and comfort within this transition zone: a bench space to put on and take off shoes; a hook for a dog leash and umbrellas; and hanging space for bags and coats. Benches, shelves and ledges at a variety of heights help with the placement and pick-up of objects, while robust and cleanable floor surfaces prevent the spread of mud and debris to the interior.

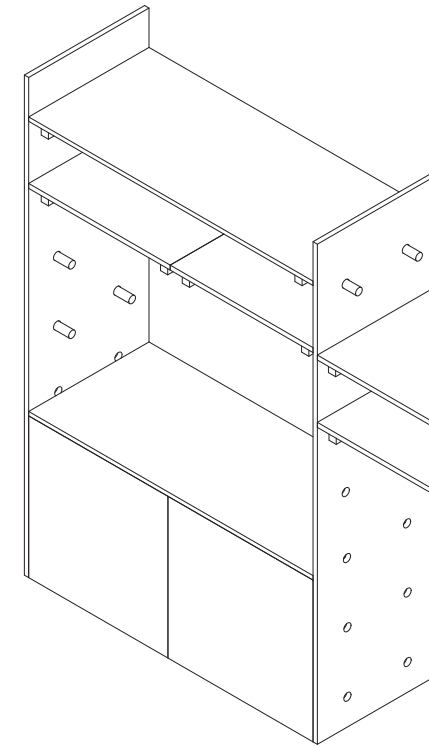


**Mudroom** at entry for pausing and preparing for arrival or departure

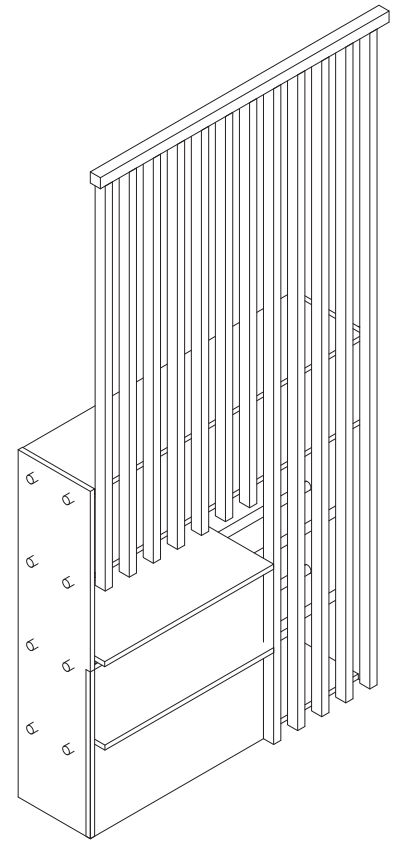
**Dual key entry** and buffer zone for separate occupants

**Multiple entries** enable diverse use

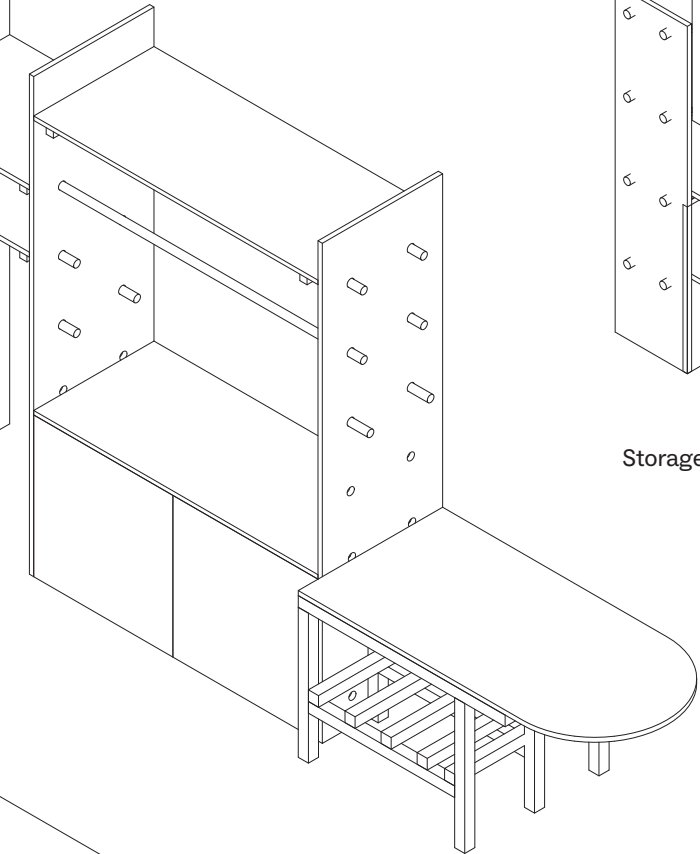
Elements to assist with arrival or departure



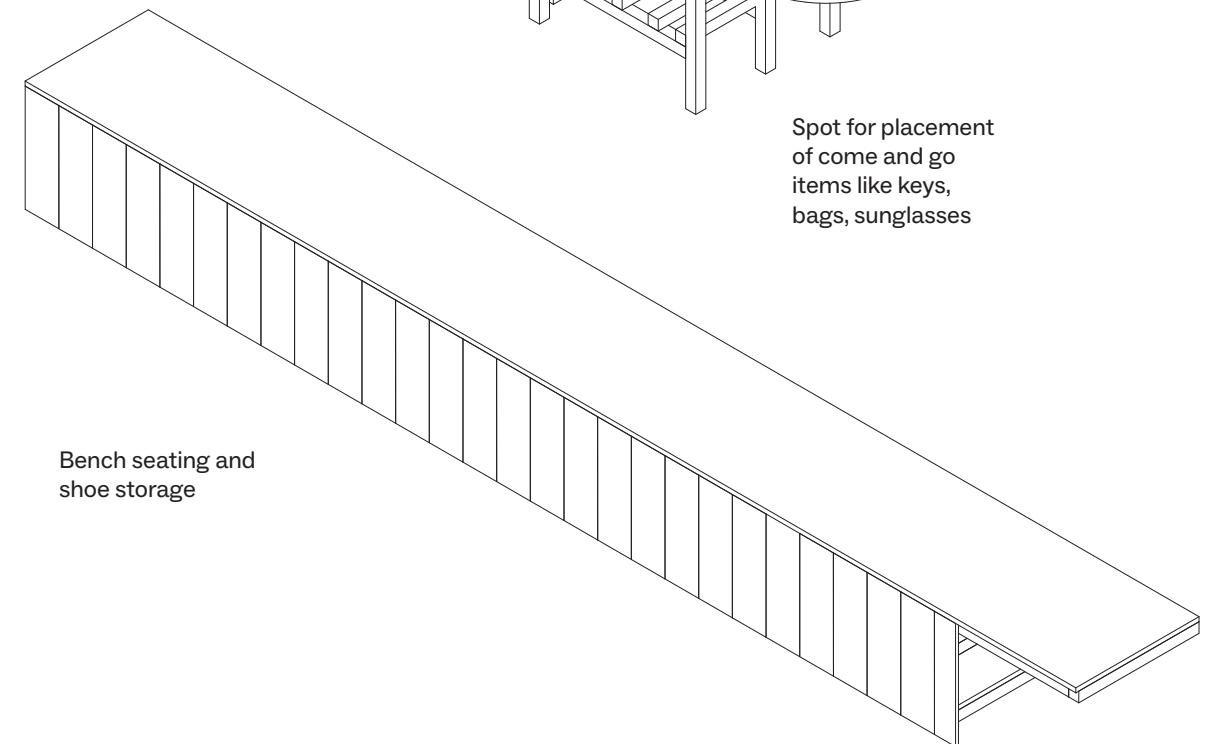
Adaptable storage



Storage unit with screen



Spot for placement of come and go items like keys, bags, sunglasses

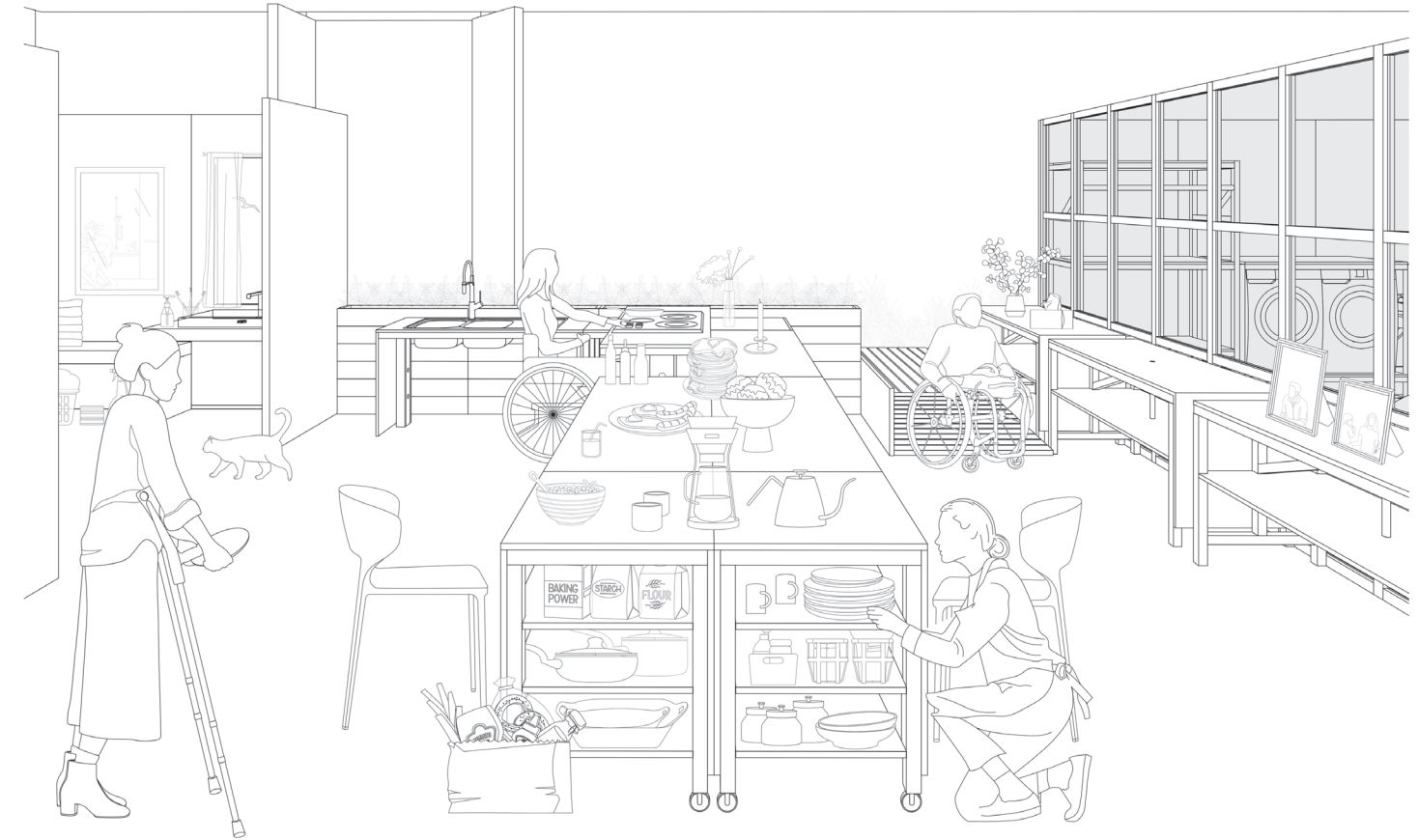


Bench seating and shoe storage

**FOYER**

Scale 1:100

# KITCHEN

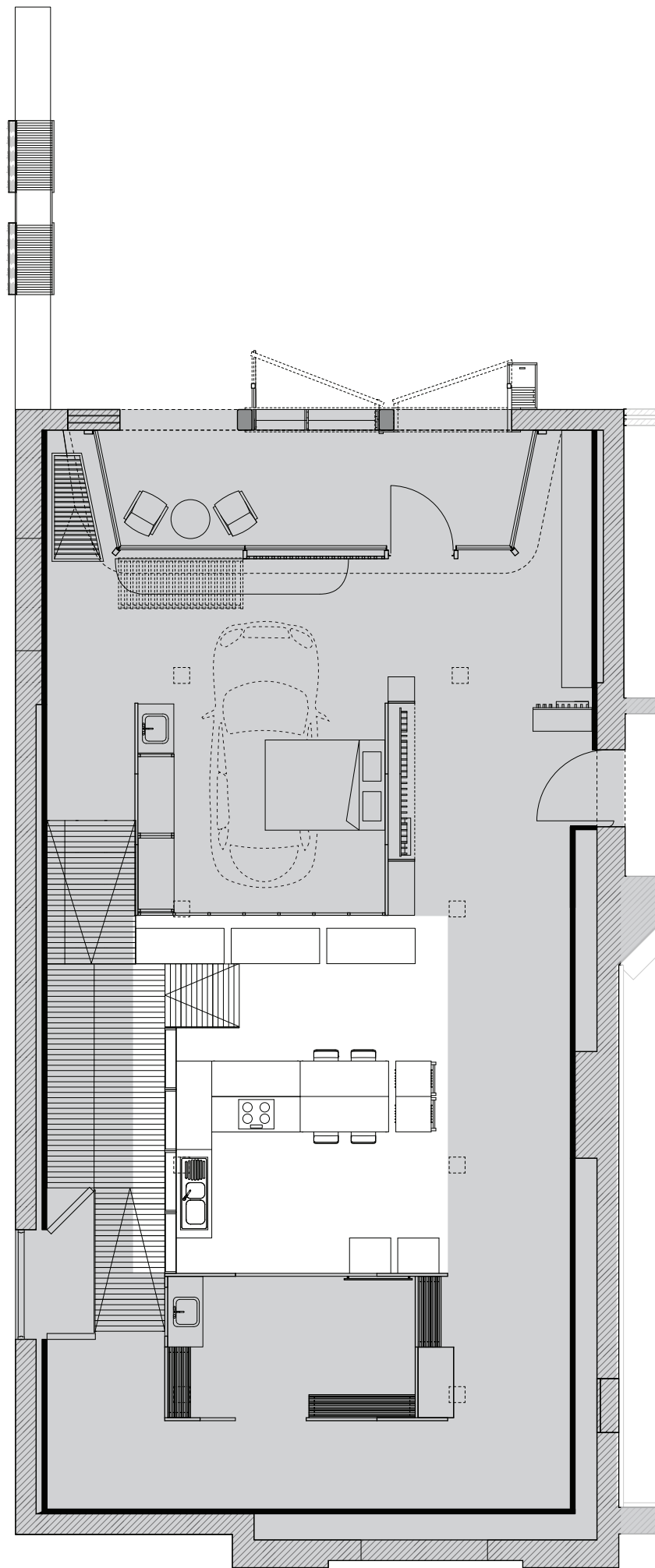


- Accessibility =** a home with integrated features that don't seem out of place
- Seamlessness** a home that is sustainable, economic and practical
- Performance** a home that is roomy, caring and uplifting
- Generosity** a home that enables people to come together and connect to community
- Sociability** a home that readily adapts to new situations and uses
- Flexibility** a home that supports varied circumstances and needs
- Diversity** a home that is respectful and evokes pride
- Dignity** a home that is protective and comforting
- Safety**

## SPACES/ELEMENTS

## RETROFIT KIT

The principles of accessible design are synonymous with decluttered plan configurations where living spaces overlap and are interconnected. As concentrated zones of domestic activity, kitchens are a natural point of interaction and gathering. The redesign of living spaces in light of accessibility requirements presents an opportunity to define the kitchen space as the home's social hub with infrastructure and furnishing elements that enable safety, comfort and delight for all. Emerging assistive technologies, when discreetly integrated within kitchen infrastructure, further support independence and safety for people with disability.



**Ergonomic kitchen** with safe appliances and easy reach

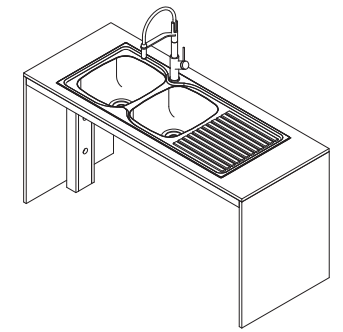
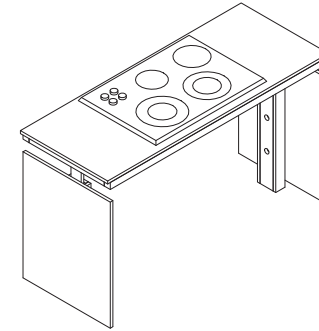
**Social kitchen** for interaction and gathering

**Adjustable furniture** that is modular and moveable

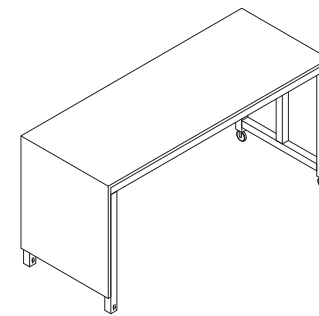
# KITCHEN

Scale 1:100

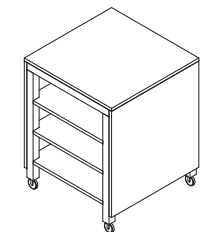
Modular and adjustable kitchen elements for a flexible, safe and social kitchen



Adjustable height benches for stovetop and sink

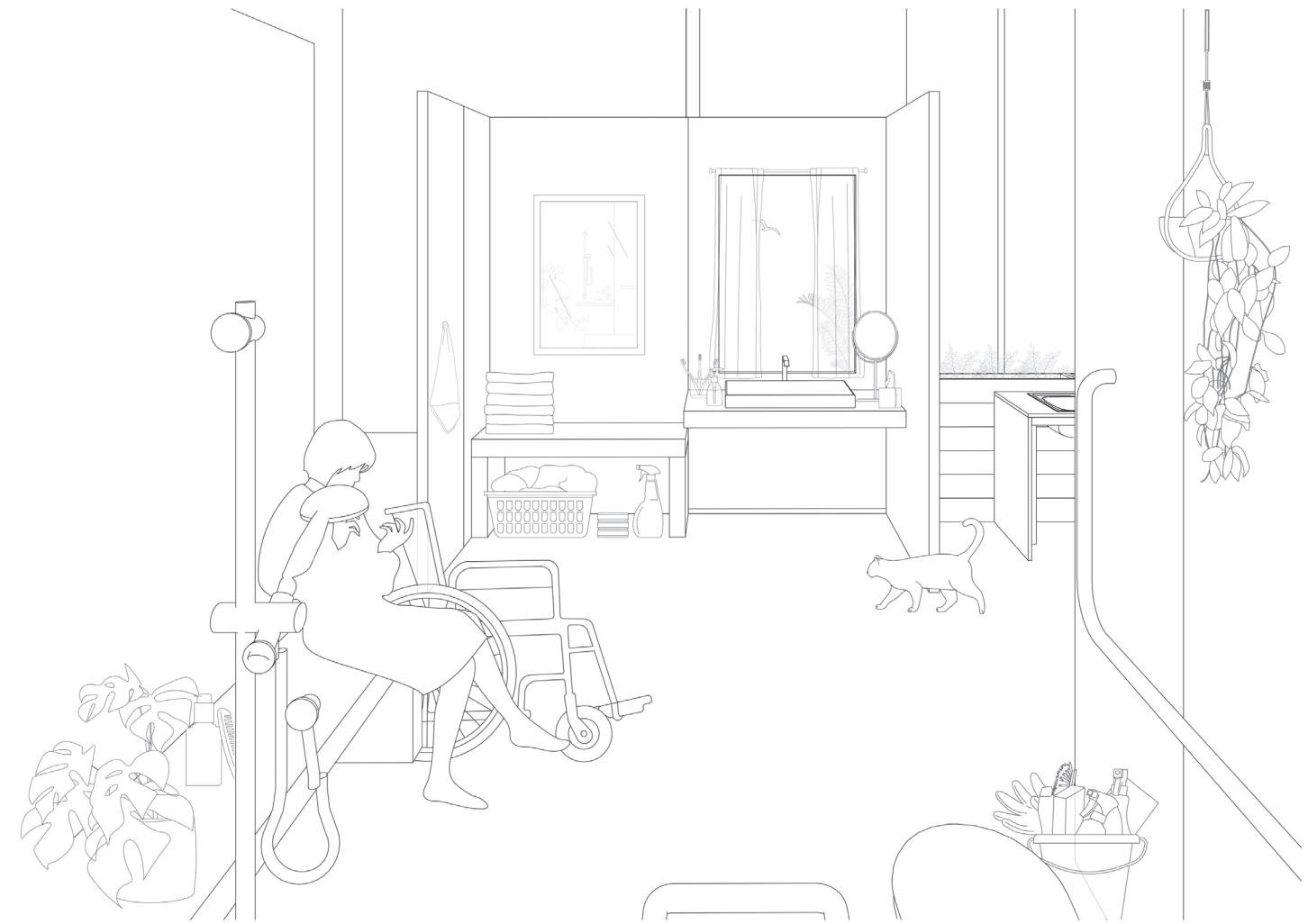
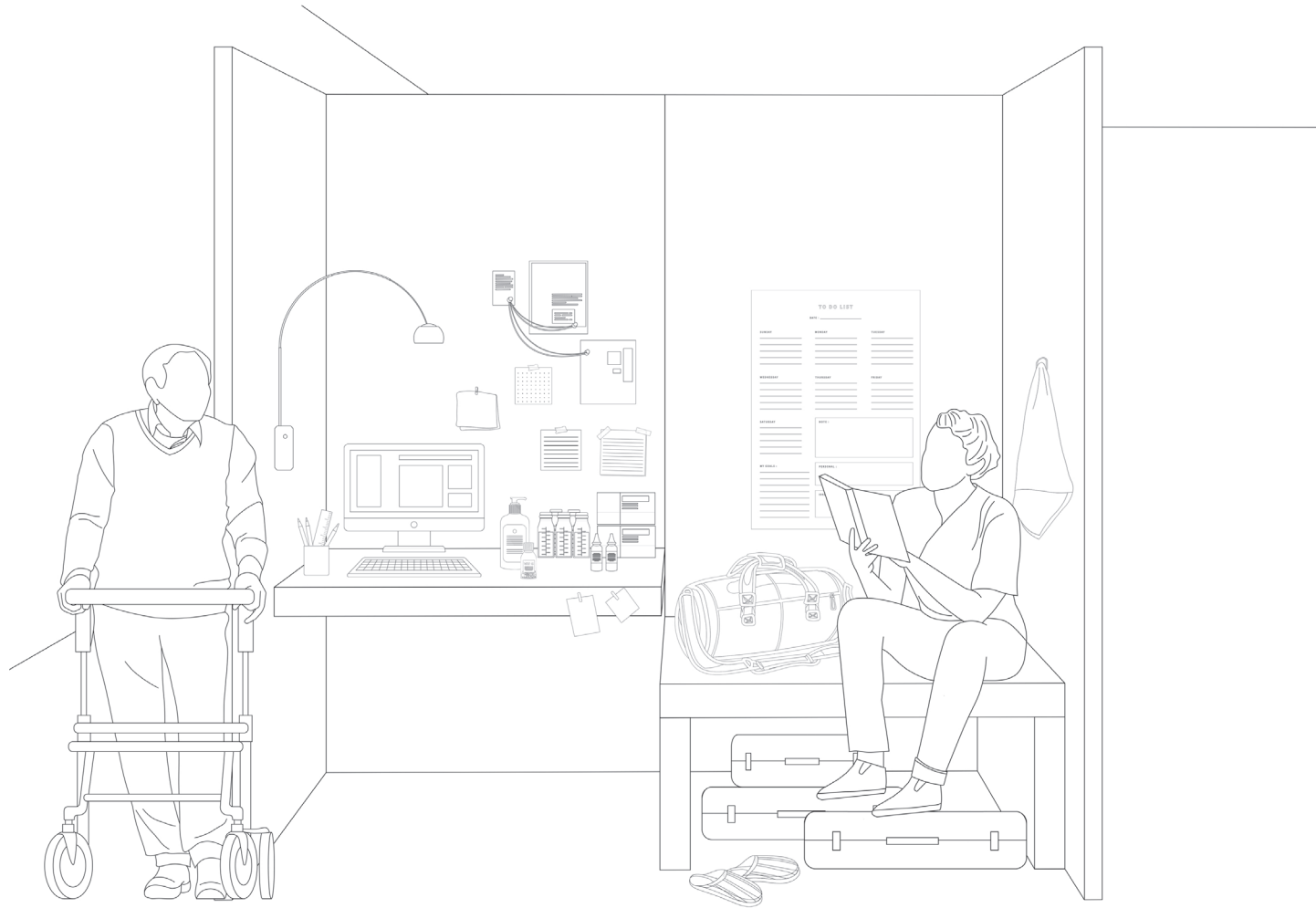


Modular and movable tables and storage units on wheels





# BATHROOM



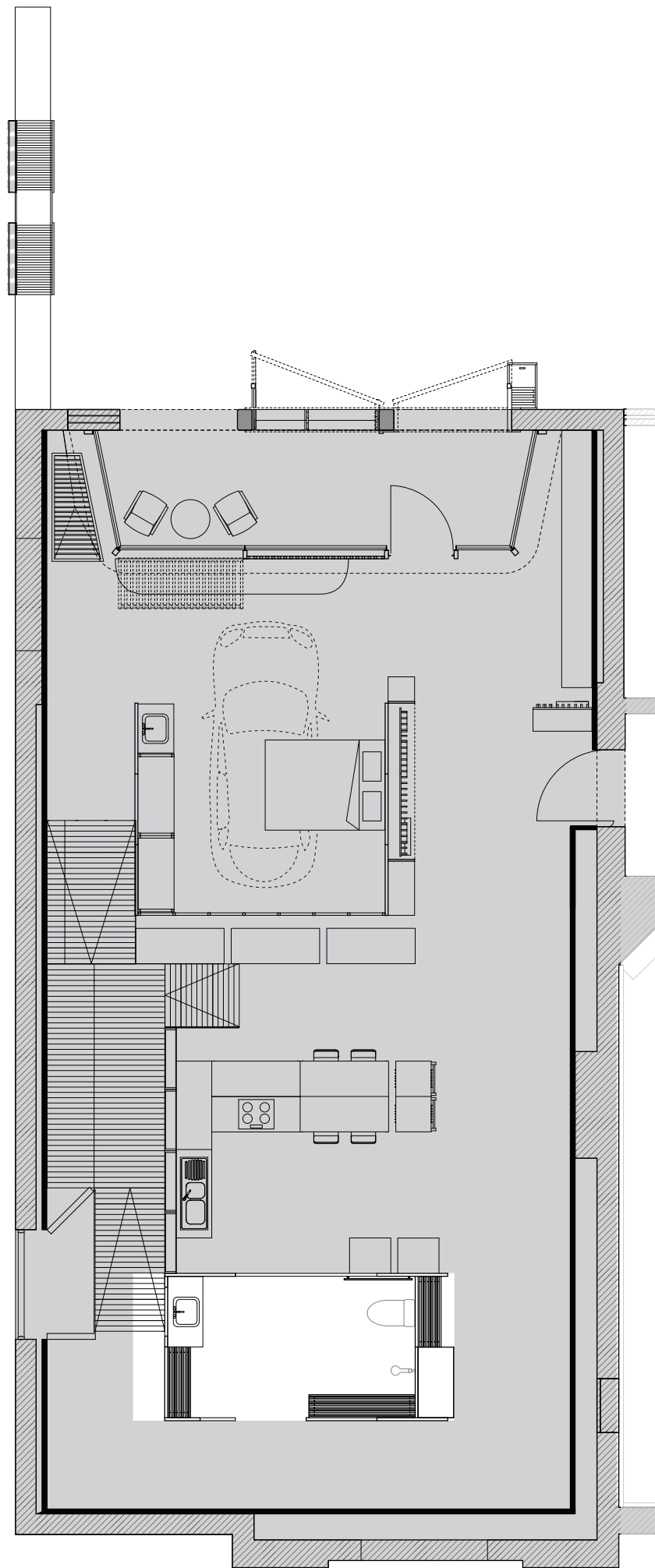
- Accessibility =** a home with integrated features that don't seem out of place
- Seamlessness** a home that is sustainable, economic and practical
- Performance** a home that is roomy, caring and uplifting
- Generosity** a home that enables people to come together and connect to community
- Sociability** a home that readily adapts to new situations and uses
- Flexibility** a home that supports varied circumstances and needs
- Diversity** a home that is respectful and evokes pride
- Dignity** a home that is protective and comforting
- Safety**

**SPACES/ELEMENTS**

**RETROFIT  
KIT**

Accessible bathrooms require generous spatial proportions and can be designed as primary spaces for living. Connection to direct light, views and air infuse bathing environments with a sense of luxury. Moveable modular furniture and green plants support a serene, expansive environment for relaxation and care. Careful design of bathroom finishes and fixtures and ample private storage for medical equipment and mechanical gear avoid clinical and hospital like associations, while emerging assistive technologies, when discreetly integrated within bathing infrastructure, enable thermoregulation, comfort and safety.

Elements that support a generous bathroom as a primary living space



**Big storage** with discrete spaces for equipment

**Bathroom with a window** maximises light, air and prospect

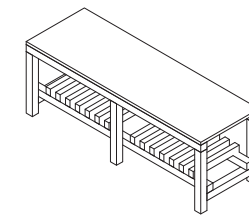
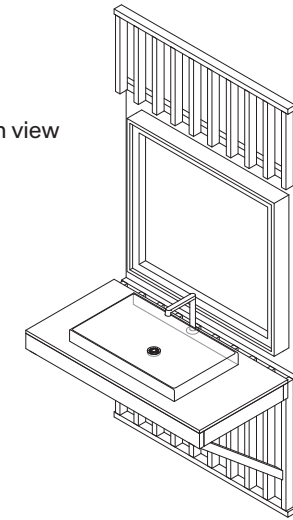
**A generous bathroom** scaled, located and furnished as a primary living space

**Dual access** from bedroom and living space optimises privacy and general use

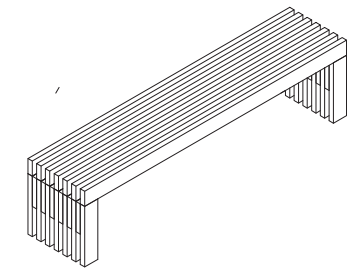
# BATHROOM

Scale 1:100

Sink with a viewbench with view



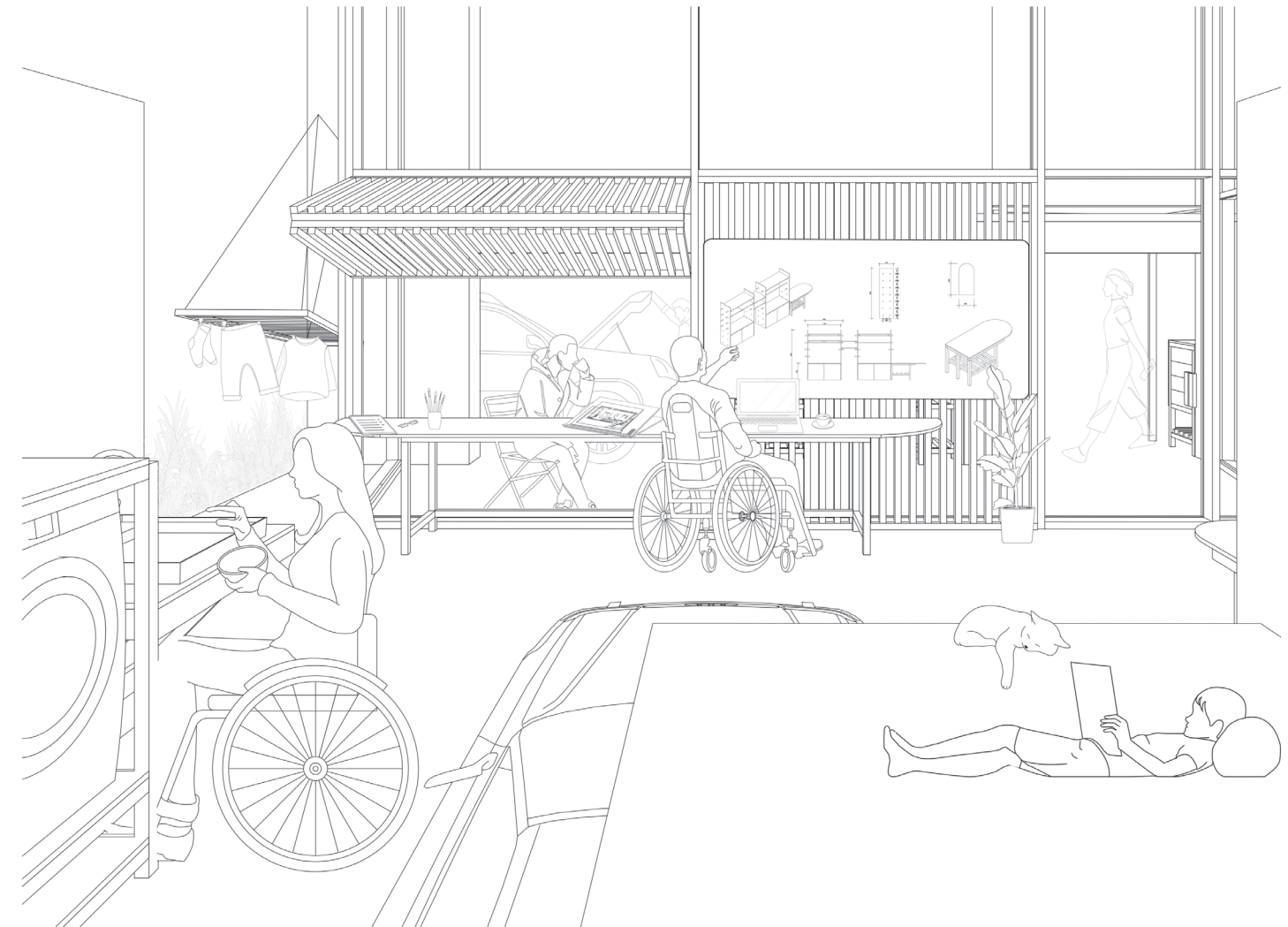
Bench units for diverse use



# /ELEMENTS



# GARAGE

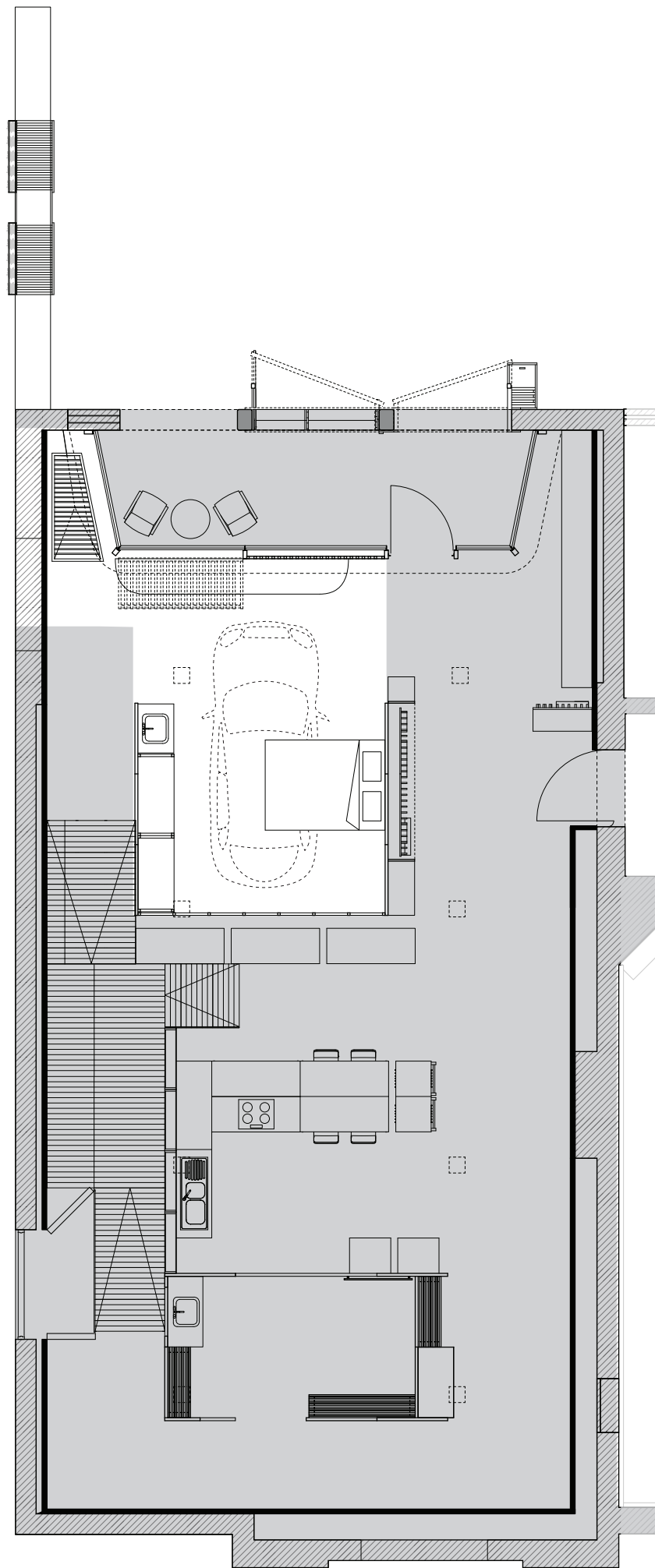


<b>Accessibility =</b>	a home with integrated features that don't seem out of place
<b>Seamlessness</b>	a home that is sustainable, economic and practical
<b>Performance</b>	a home that is roomy, caring and uplifting
<b>Generosity</b>	a home that enables people to come together and connect to community
<b>Sociability</b>	a home that readily adapts to new situations and uses
<b>Flexibility</b>	a home that supports varied circumstances and needs
<b>Diversity</b>	a home that is respectful and evokes pride
<b>Dignity</b>	a home that is protective and comforting
<b>Safety</b>	

## SPACES/ELEMENTS

## RETROFIT KIT

As an enclosure with direct access to the street, the garage presents a significant opportunity for an efficient and economic conversion to an accessible, multi-purpose space. The standard dimension of garages enables systematic adaptation and prefabricated retrofits. Garages can be converted to private, independent dwellings or semi-public rooms that are connected to the street. When incorporated within the entry sequence, garages can add generosity and utility to the arrival passages. A part or full garage conversion can address accessibility requirements while adding significant amenity.

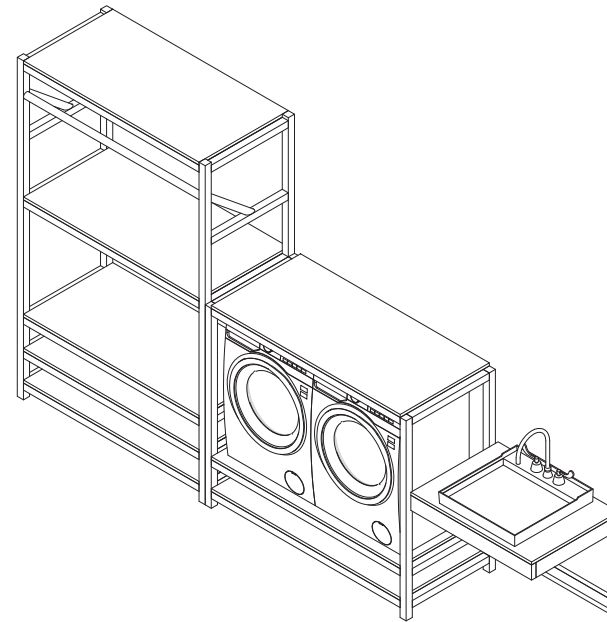


**Garage conversion** for multi-purpose room with a range of uses

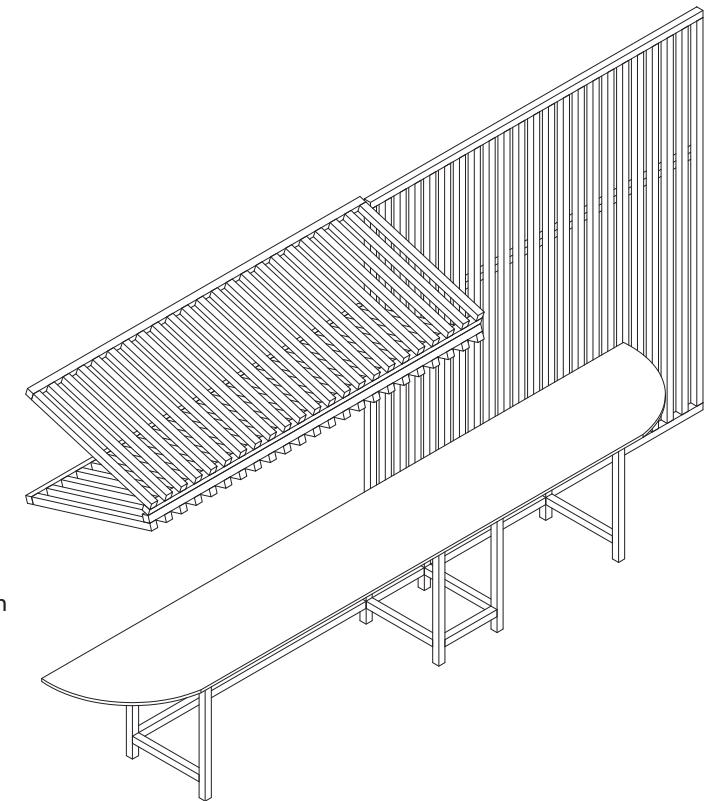
**High amenity garage door** with fold up panel, ventilation grill and window

**Partial garage conversion** achieves a generous entry for wheel friendly access

Elements that enable full or partial conversion of the garage for diverse use



Modular and adjustable furniture elements



Operable screen and working bench

**GARAGE**

Scale 1:100

**/ELEMENTS**